

FIG.1

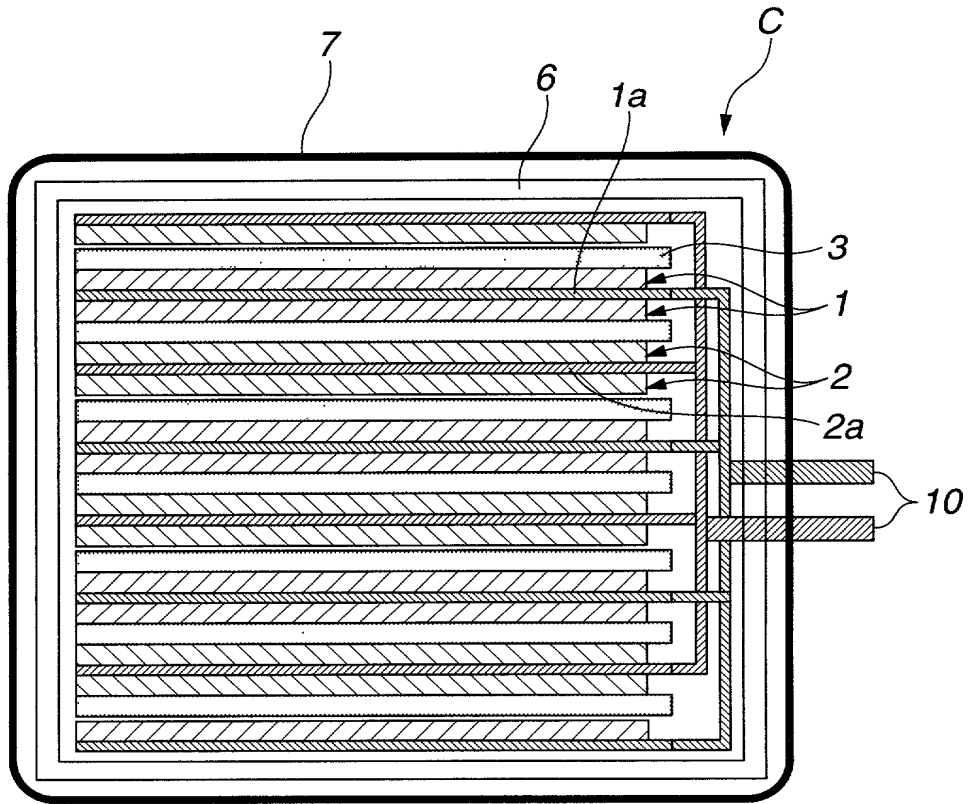


FIG.2

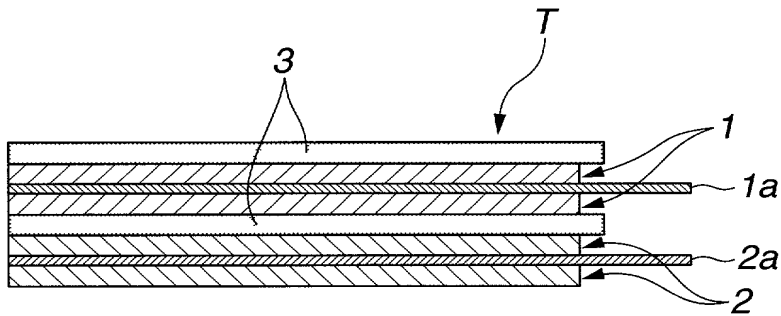
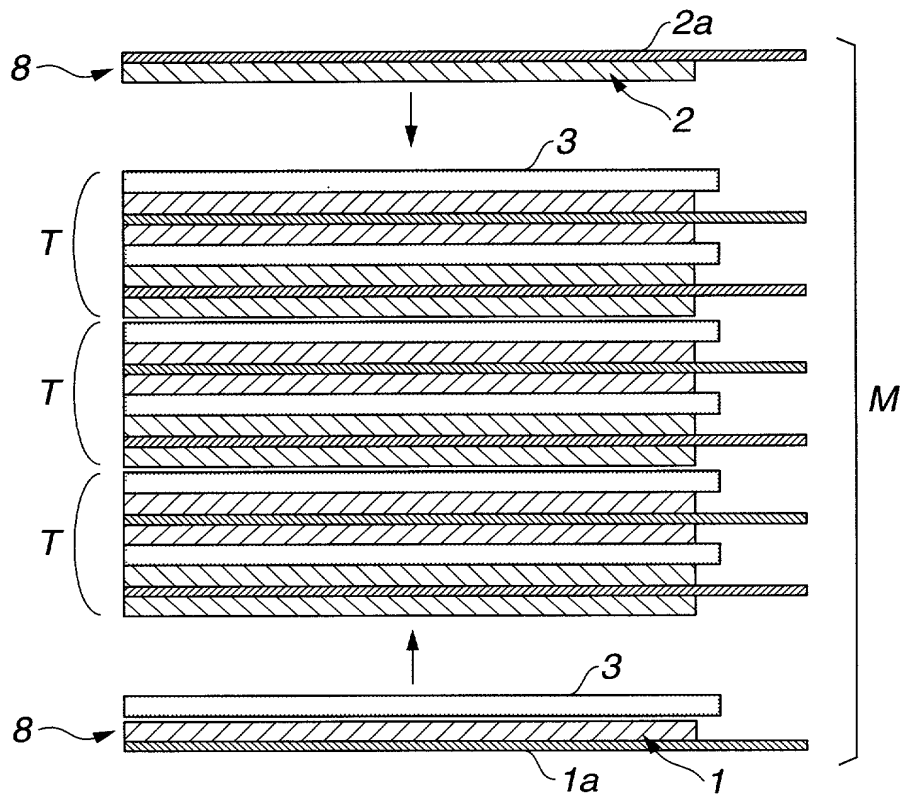


FIG.3



Downloaded from ascelibrary.org by Columbia University on 06/16/15. Copyright ASCE, For All Rights Reserved, No part of this document may be reproduced without the written permission of the American Society of Civil Engineers.

FIG.4

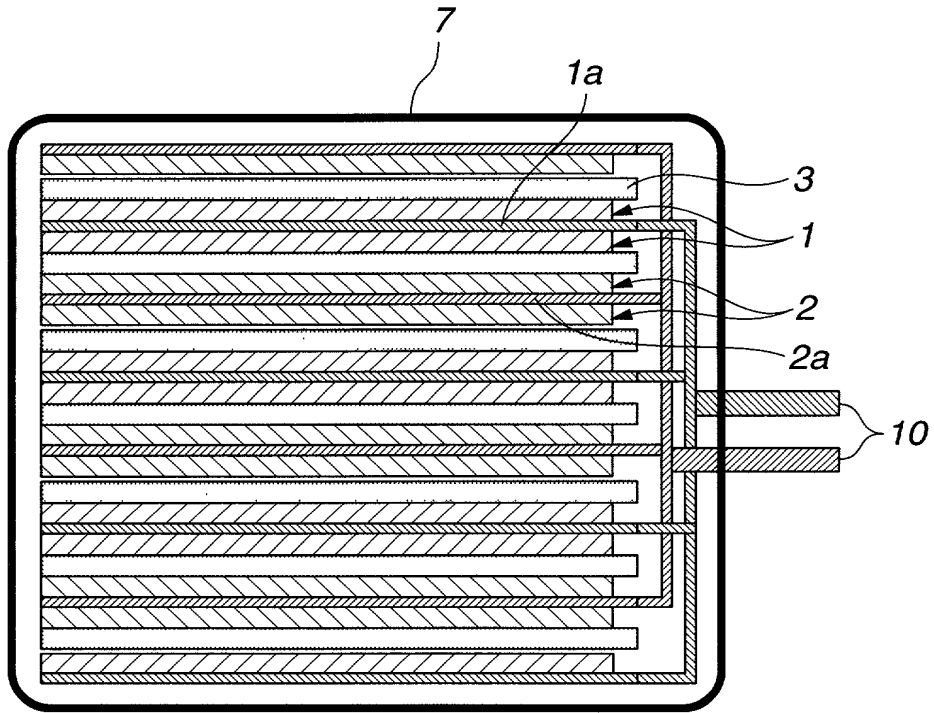


FIG.5

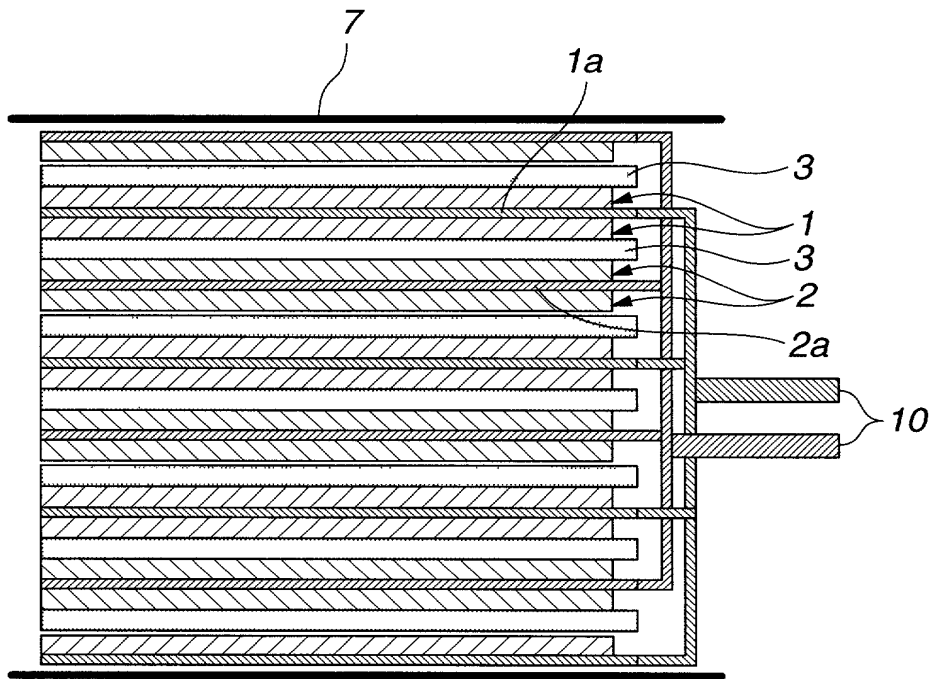


FIG. 4

FIG.6A

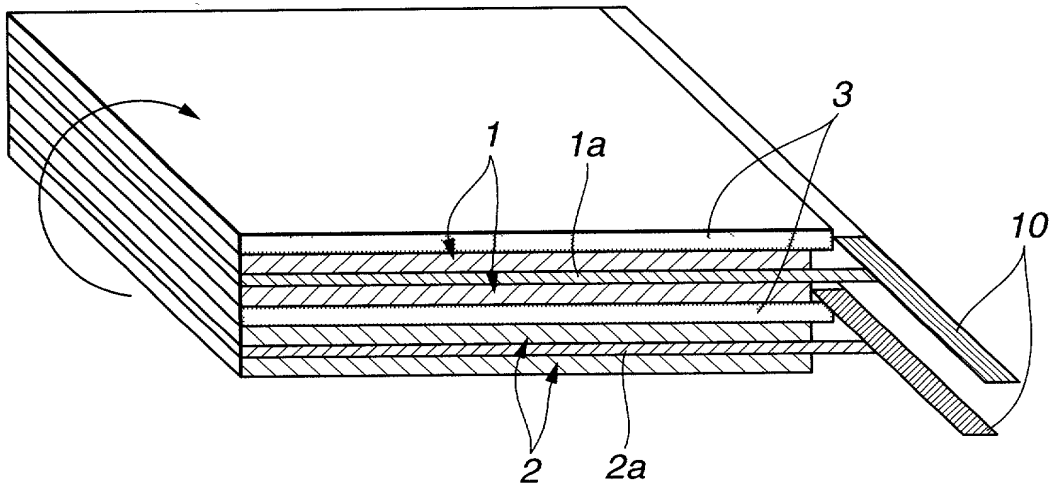


FIG.6B

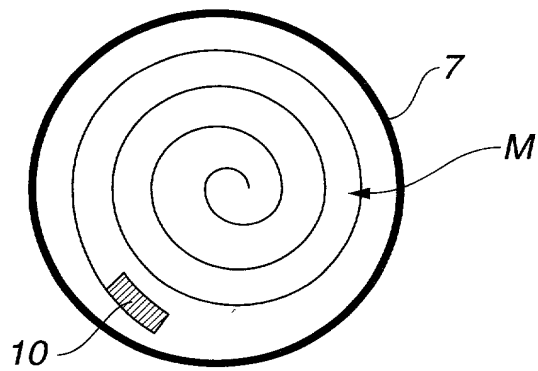


FIG.7

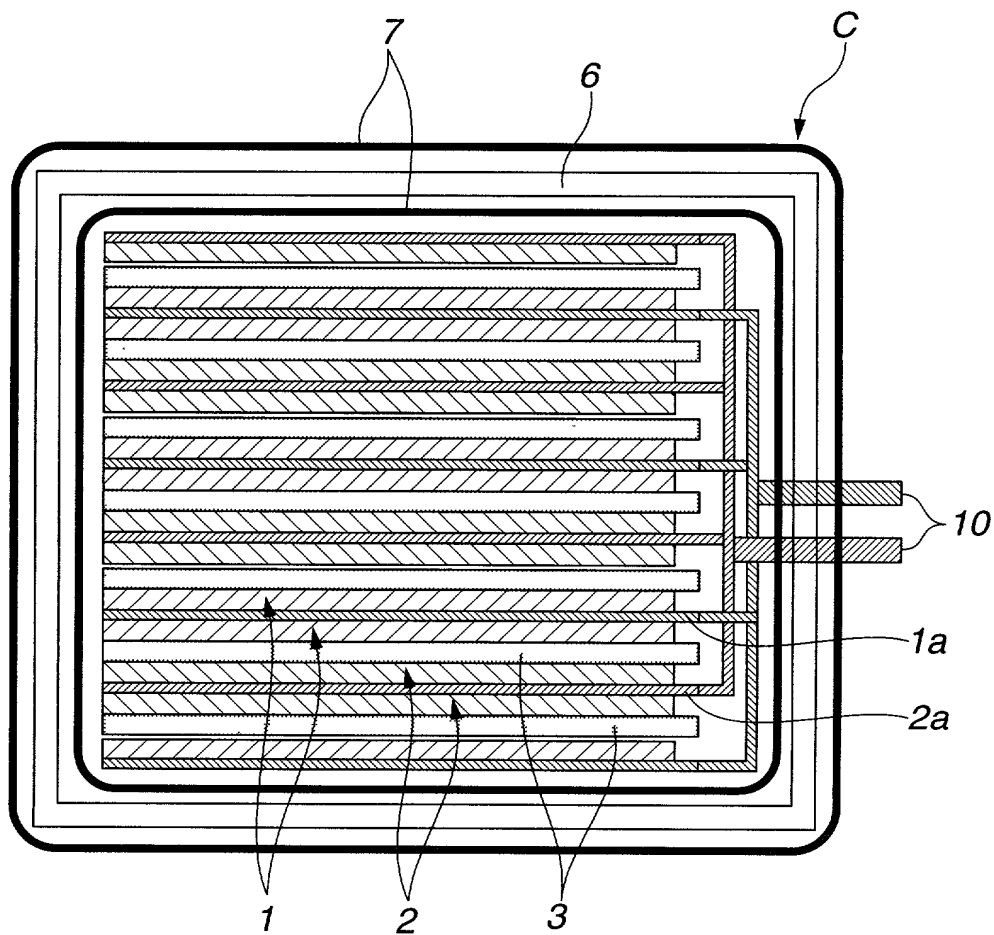


FIG.8

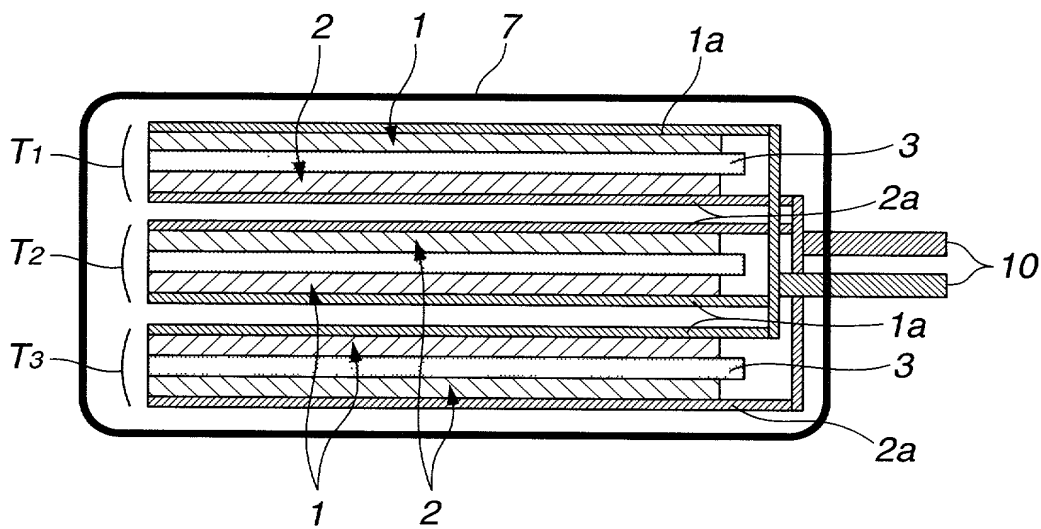


FIG.9

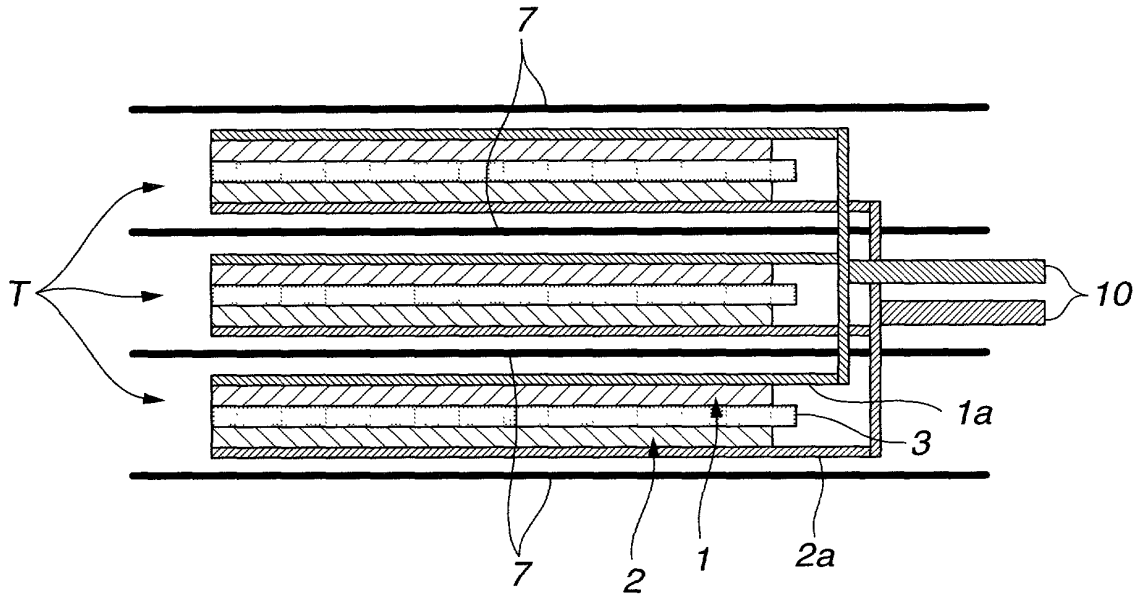


FIG.10

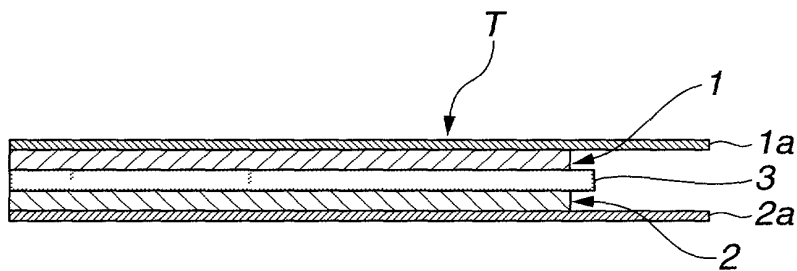


FIG.11A

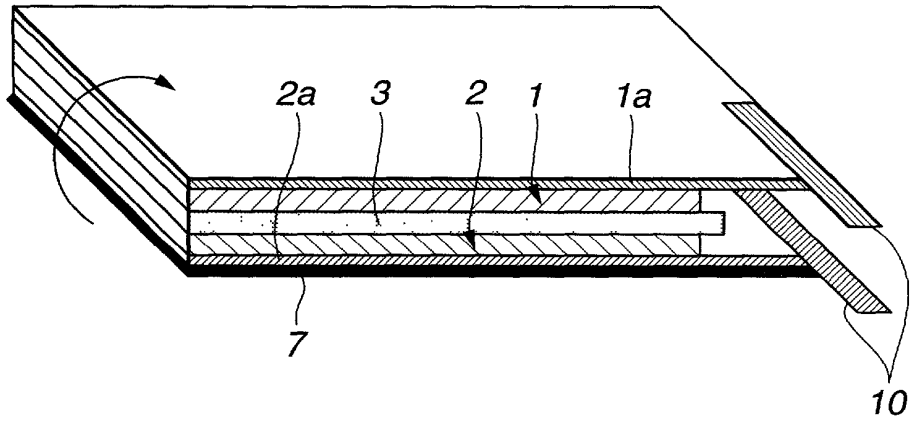


FIG.11B

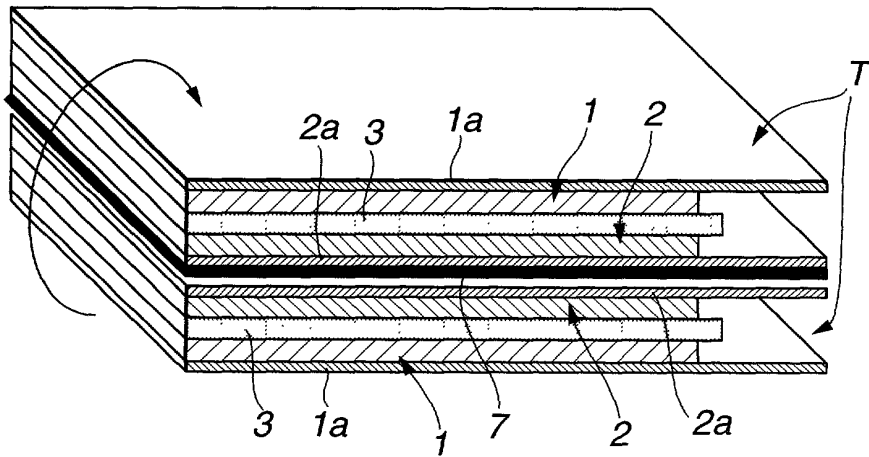


FIG.11C

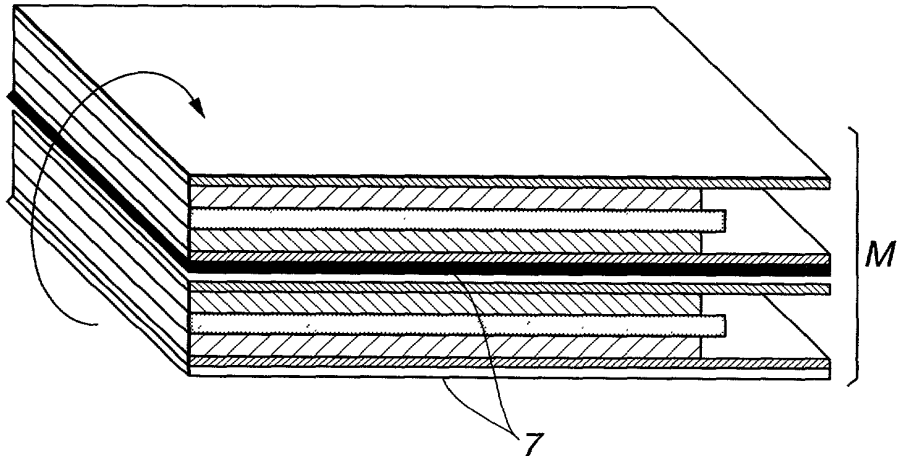
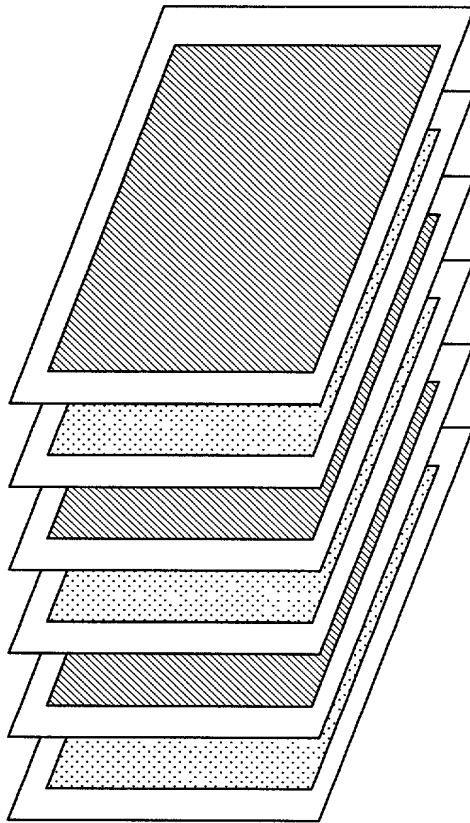


FIG. 11A

FIG.12



FOR PROGRESS

FIG.13

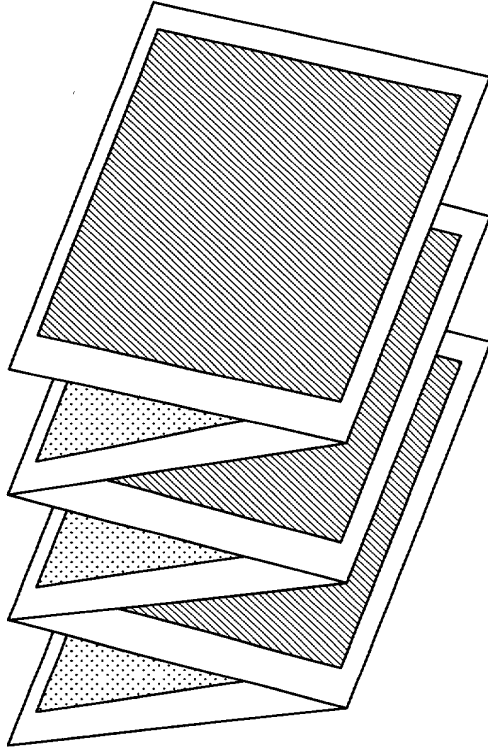
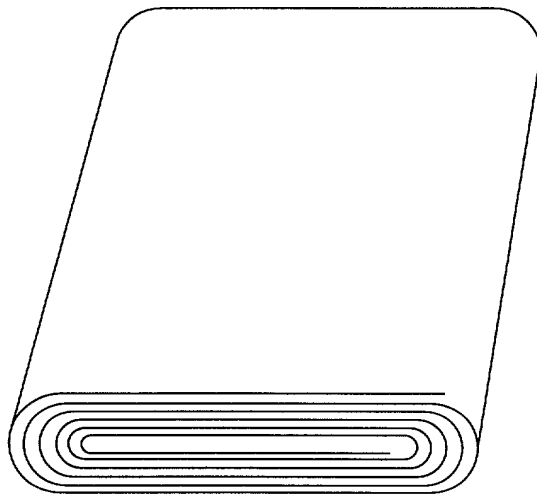


FIG.14



www.foxit.com

FIG.15

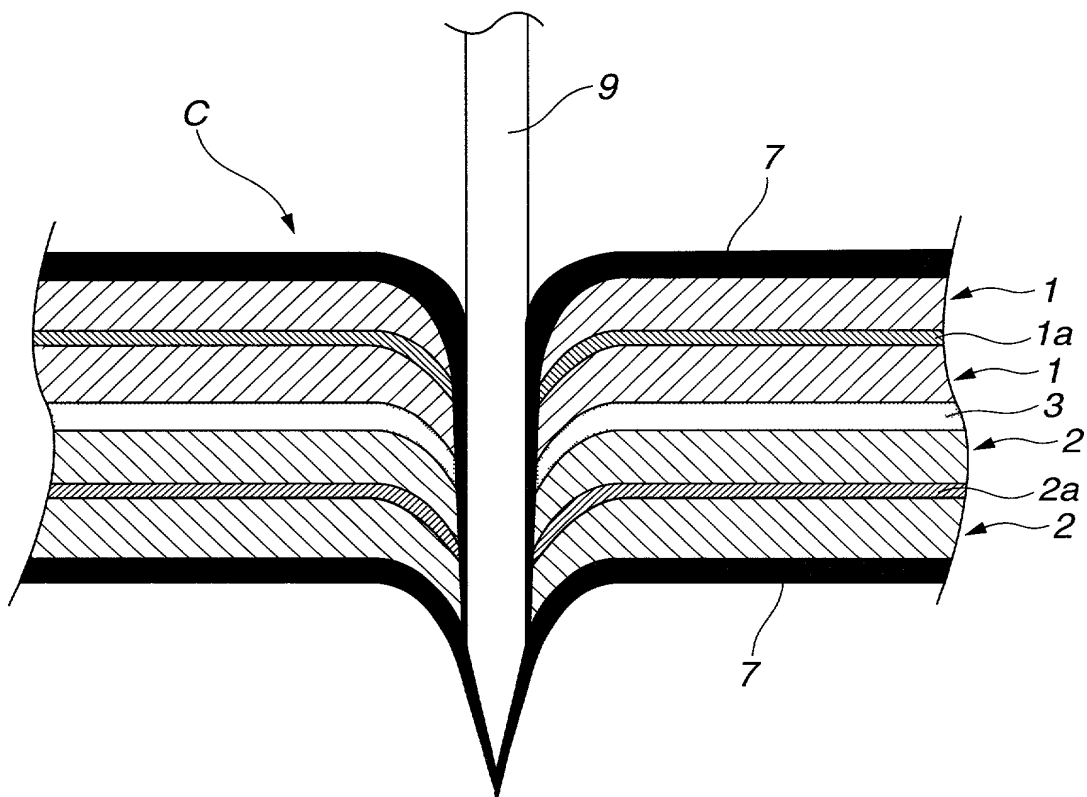
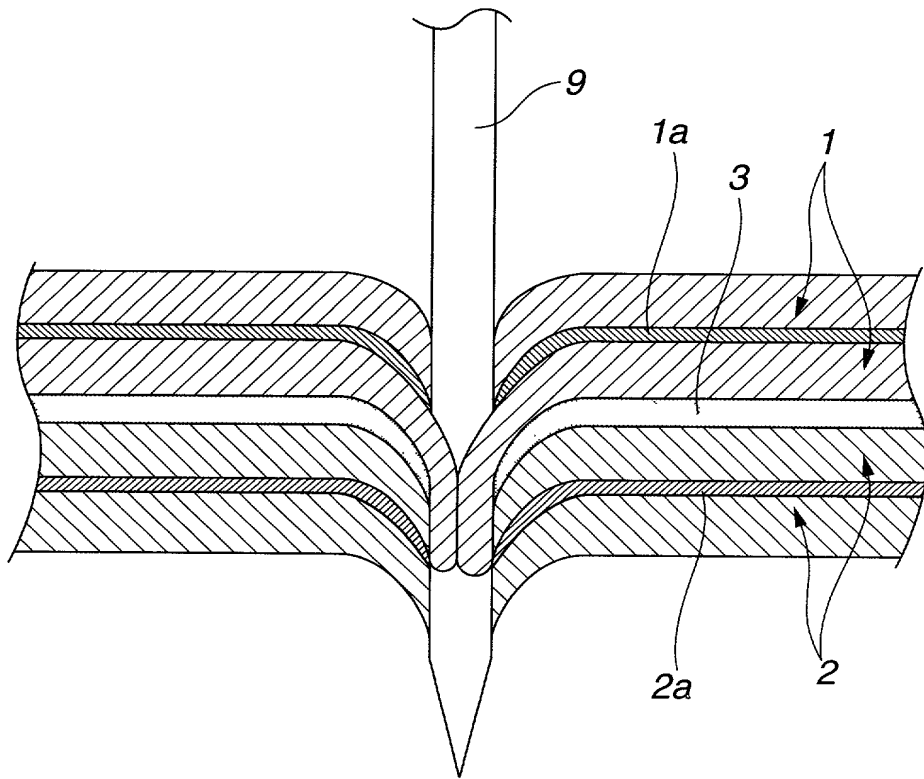


FIG.16



FOR REFERENCE